

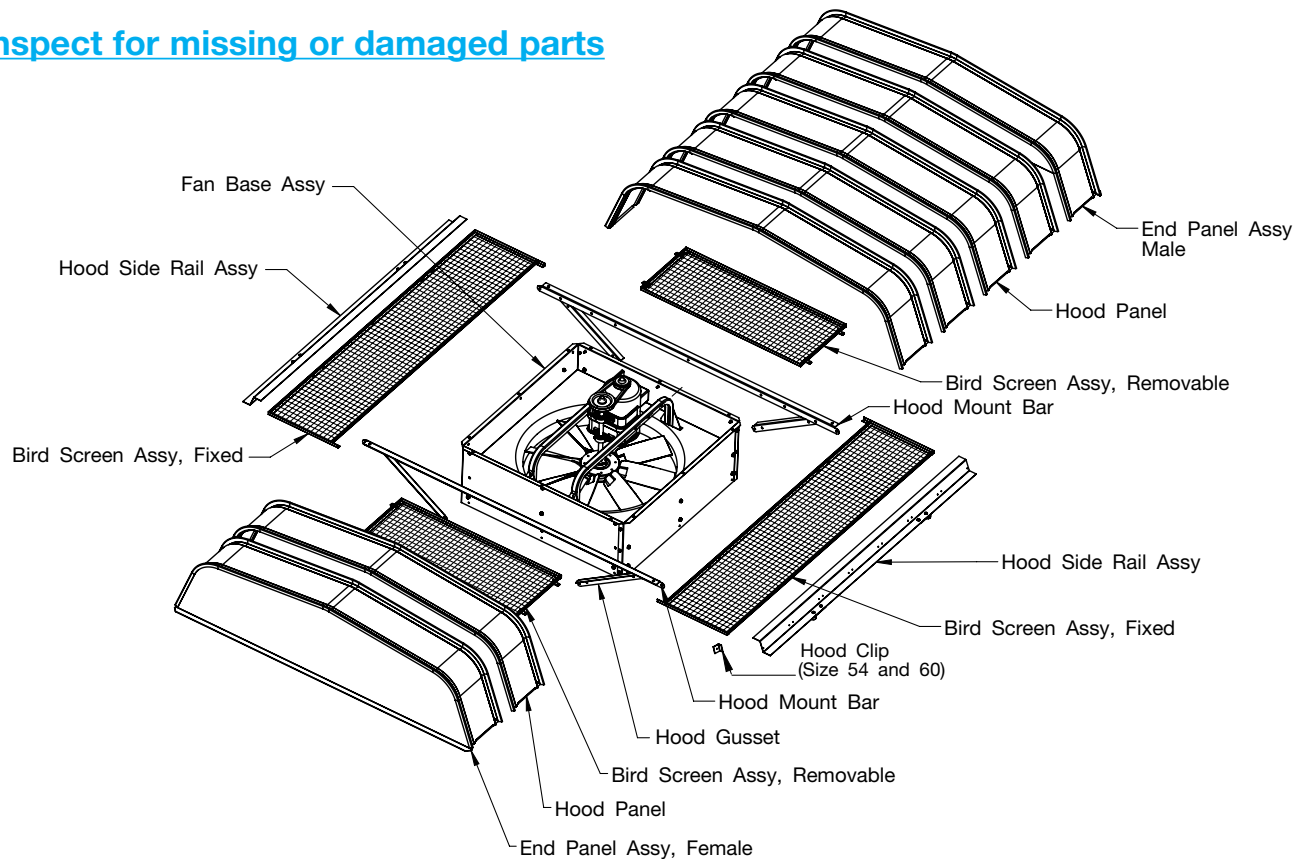
	Fan Size/Qty										
	14	16	18	21	24	30	36	42	48	54	60
Panel End Assy, Male	1	1	1	1	1	1	1	1	1	1	1
Panel End Assy, Female	1	1	1	1	1	1	1	1	1	1	1
Hood Panel	2	2	2	2	3	5	5	6	7	7	8
Hood Side Rail Assy	2	2	2	2	2	2	2	2	2	2	2
Hood Gusset	0	0	0	0	0	4	4	4	4	4	4
Hood Clip	0	0	0	0	0	0	0	0	0	16	18
Hood Mount Bar	2	2	2	2	2	2	2	2	2	2	2
Bird Screen Assy, Fixed	2	2	2	2	2	2	2	2	2	2	2
Bird Screen Assy, Removable	2	2	2	2	2	2	2	2	2	2	2

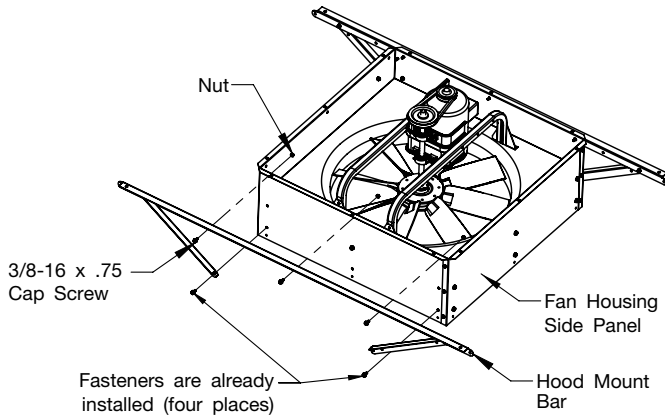
HDWRKIT-LH01	Hardware Kit #1 - Hood
Qty	Item
12	Cap Screw, Serrated Flange Hex, 3/8-16 x .75
20	Hex Nut, Serrated Flange, 3/8-16
4	Cap Screw, Serrated Flange Hex, 3/8-16 x 1.25
72	Screws, #12

HDWRKIT-LH06	Hardware Kit #6 - Mesh Bird Screen (Size 24 to 60)
Qty	Item
10	Cap Screw, Serrated Flange Hex, 5/16-18 x .75
6	Nut Clip, 5/16
4	Hex Nut, Serrated Flange, 5/16-18

- Fan sizes 14 to 42 are shipped fully assembled, unless otherwise specified.
- A minimum of two people are required for assembly. Before starting, review these instructions.
- The following tools are required:
 - Powered screwdriver (preferred) or drill
 - 3/8, 7/16, 1/2, 9/16 wrenches and sockets
 - 5/16" nut driver bit for powered screwdriver
 - Awl, for hole alignment

Inspect for missing or damaged parts



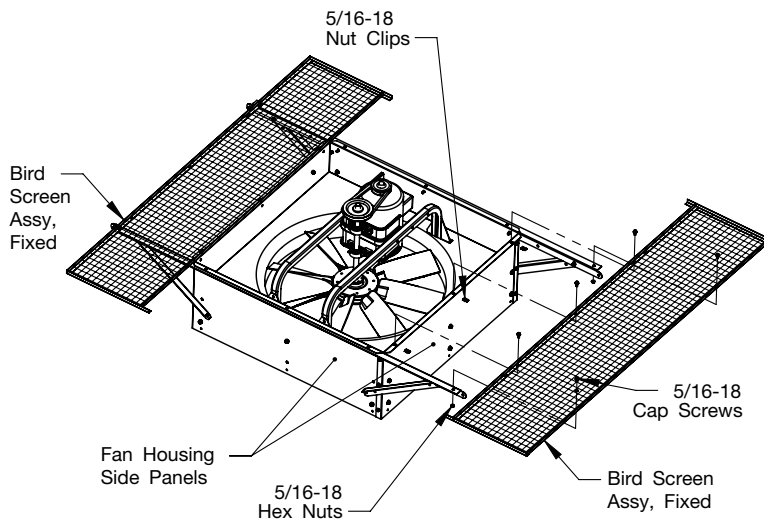


Step 1 – Install Hood Mount Bars

Fasteners (Kit #1):

Cap Screw, Serrated Flange, 3/8-16 x 0.75
Hex Nut, Serrated Flange, 3/8-16

- A. Assemble Hood Mount Bars on both sides of the fan housing, using cap screws and nuts.
- B. Assemble four Hood Gussets using cap screws and nuts. The bottom holes on the gussets attach to the curb stop fasteners, which are already installed on the fan housing. One at a time, remove the screws and attach the gussets.

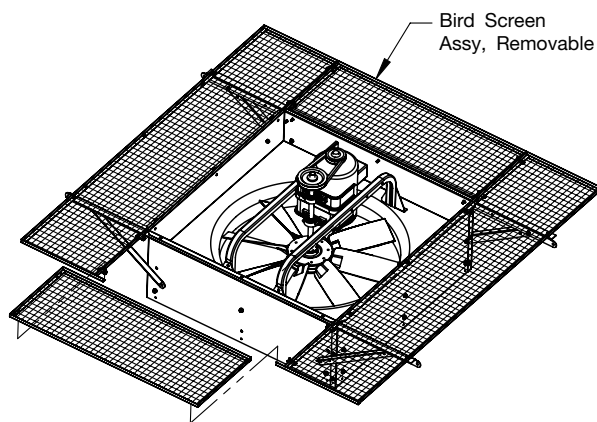


Step 2 – Install Fixed Screens

Fasteners (Kit #6):

Cap Screw, Serrated Flange, 5/16-18 x 0.75
Hex Nut, Serrated Flange, 5/16-18
Nut Clips, 5/16-18

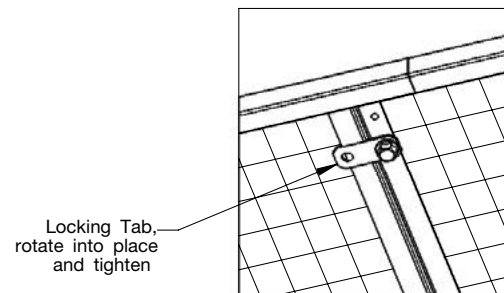
- A. Install nut clips onto Fan Housing Side Panel flanges as shown.
- B. Install two Fixed Screen Assemblies using cap screws and nuts. Do not fully tighten these fasteners. They will be fully tightened in the next step.



Step 3 – Install Removable Screens

- A. Install two Removable Screen Assemblies. After positioning the assemblies, rotate the locking tabs in place and tighten.
- B. Fully tighten the Fixed Screen assembly fasteners from the previous step.

Detail of locking tabs

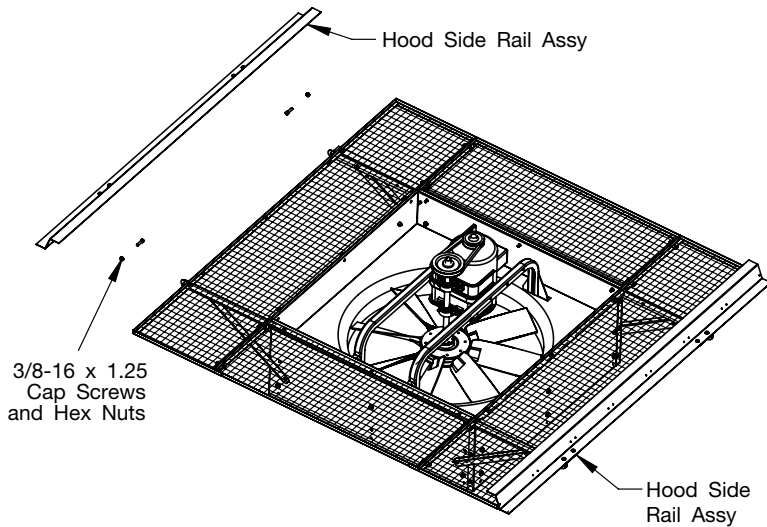


Step 4 – Install Hood Side Rails

Fasteners (Kit #1):

Cap Screw, Serrated Flange, 3/8-16 x 1.25
Hex Nut, Serrated Flange, 3/8-16

- A. Install two Hood Side Rail Assemblies to the Hood Mount Bars using cap screws and nuts. Do not fully tighten fasteners. They will be tightened in Step 7.

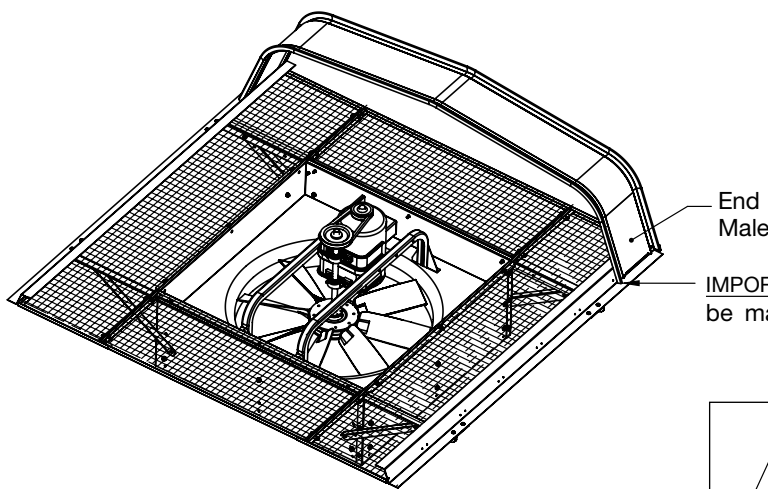


Step 5 – Install End Panel Assy (Male)

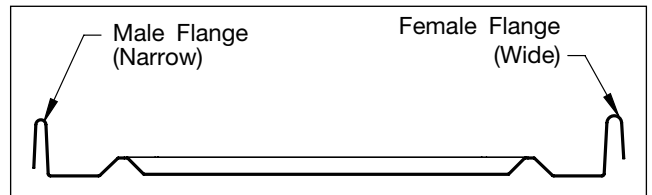
Fasteners (Kit #1):

Screws, #12

- A. Install the End Panel Assembly (male type) using #12 screws.



End View of Panel

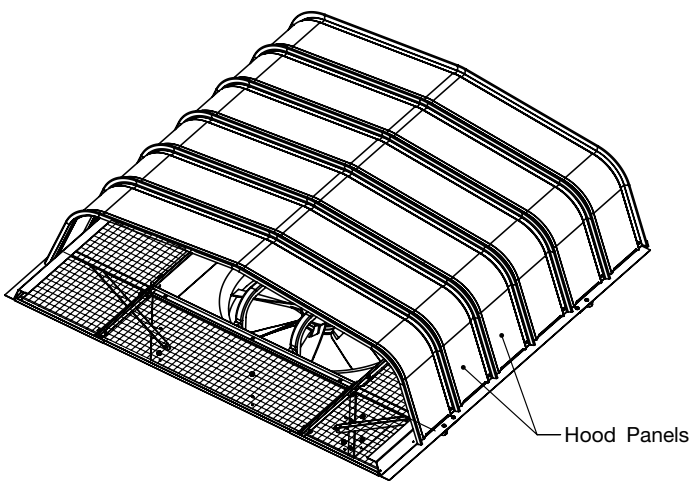


Step 6 – Install Hood Panels

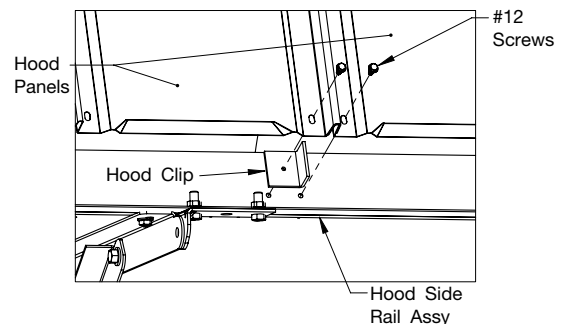
Fasteners (Kit #1):

Screws, #12

- A. Install the Hood Panels using #12 screws.
B. On sizes 54 and 60, hood clips must be installed at each interlocking rib while installing the panels. Position the Hood Panel in place and reach underneath to slide the clip into place.



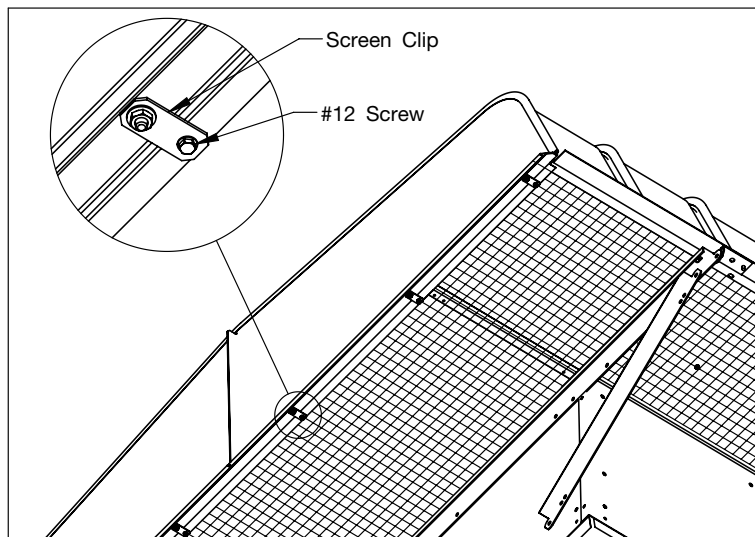
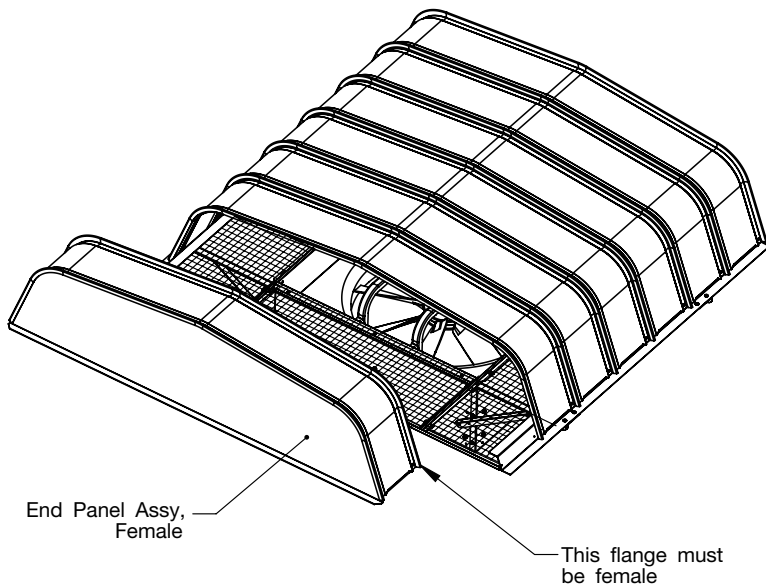
**For Sizes 54 and 60,
install hood clips at each rib.**



Step 7 – Attach End Panel Assy (Female)

Fasteners (Kit #1):
Screws, #12

- A. Attach End Panel Assembly (female type), using #12 screws.
- B. Fully tighten the Hood Mount Bar/Side Rail fasteners from Step 4.



Step 8 – Install Screen Clips (Size 54 and 60)

Fasteners (Kit #1):
Screws, #12

- A. For fan sizes 54 and 60, add screen clips to underside of hood using #12 screws.

Step 9 – Check All Fasteners

- A. Check that all fasteners are fully tightened.



TWIN CITY FAN & BLOWER | WWW.TCF.COM

5959 Trenton Lane N | Minneapolis, MN 55442 | Phone: 763-551-7600 | Fax: 763-551-7601